

6.1 Input Module, 120 Vac, 8-Point Isolated: IC694MDL230

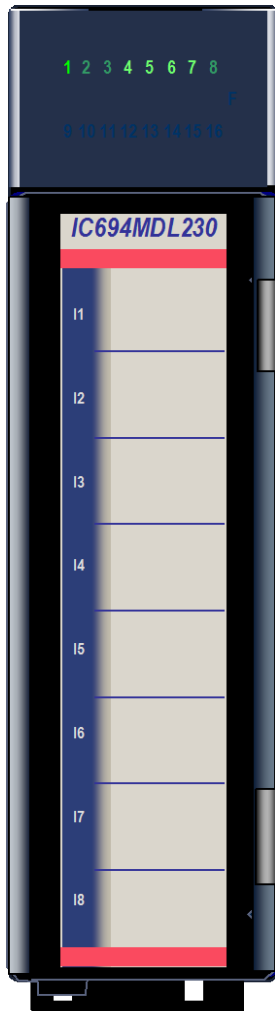


Figure 126: IC694MDL230

The **120 Vac Isolated Input** module, IC694MDL230, provides eight isolated input points, each with a common power input terminal. Because the inputs are isolated, each input can be powered by a separate AC power source.

The input circuits are reactive (resistor/capacitor) inputs. Current passing into an input point results in a logic 1 in the input status table (%I). Input characteristics are compatible with a wide range of input devices, such as pushbuttons, limit switches, and electronic proximity switches. Power to operate the field devices must be supplied by the user. This module requires an AC power source; *it cannot be used with a DC power source.*

Eight green LEDs indicate the ON/OFF status of points 1 through 8. The red bands on the label show that MDL230 is a high-voltage module.

This module can be installed in any I/O slot in an RX3i system.

Module supports insertion into and removal from an RX3i Universal Backplane which is under power. Refer to *Hot Insertion and Removal*, Section 2.6.4.1.

6.1.1 Specifications: MDL230

| | |
|--|---|
| Rated Voltage | 120 Vac, 50/60 Hz |
| Input Voltage Range | 0 to 132 Vac, 50/60 Hz |
| Inputs per Module | 8 (each input point has a separate common) |
| Isolation: | |
| Field to Backplane (optical) and to frame ground | 250 Vac continuous; 1500 Vac for one minute |
| Point to Point | 250 Vac continuous; 1500 Vac for one minute |
| Input Current | 14.5 mA (typical) at rated voltage |
| Input Characteristics: | |
| On-state Voltage | 74 to 132 Vac |
| Off-state Voltage | 0 to 20 Vac |
| On-state Current | 6 mA minimum |
| Off-state Current | 2.2 mA maximum |
| On response Time | 30 ms maximum |
| Off response Time | 45 ms maximum |
| Power Consumption | 60 mA (all inputs on) sourced from 5 Vdc bus on backplane |

For product standards and general specifications, refer to Appendix A.

6.1.2 Field Wiring: MDL230

| Terminals | Connections |
|-----------|----------------|
| 1 | No connection |
| 2 | Input 1 |
| 3 | Input 1 Return |
| 4 | Input 2 |
| 5 | Input 2 Return |
| 6 | Input 3 |
| 7 | Input 3 Return |
| 8 | Input 4 |
| 9 | Input 4 Return |
| 10 | No connection |
| 11 | No connection |
| 12 | Input 5 |
| 13 | Input 5 Return |
| 14 | Input 6 |
| 15 | Input 6 Return |
| 16 | Input 7 |
| 17 | Input 7 Return |
| 18 | Input 8 |
| 19 | Input 8 Return |
| 20 | No connection |

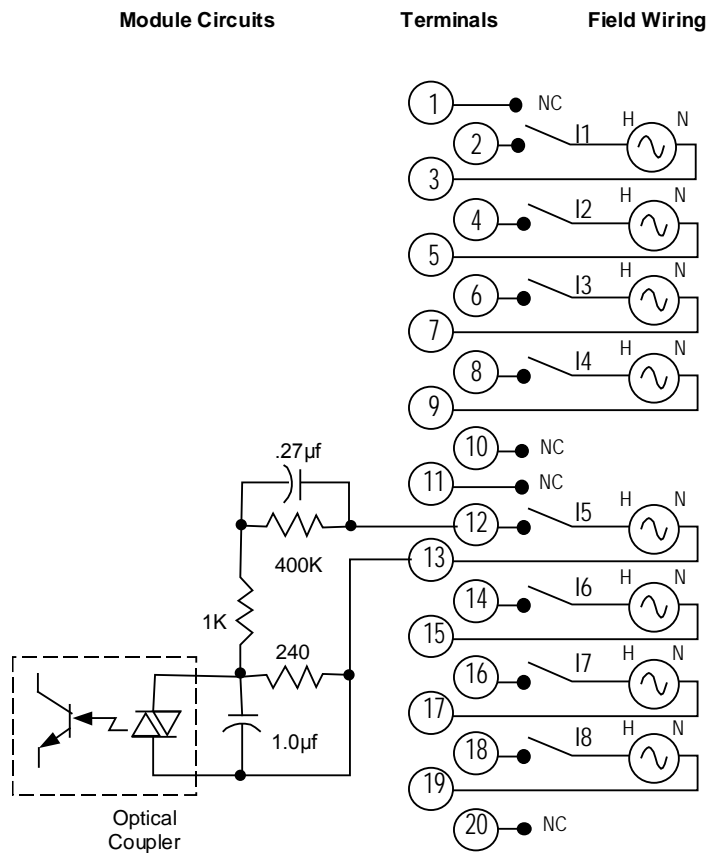


Figure 127: Field Wiring MDL230